

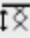
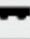

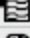







# Nacelle Ciseaux 12m – Holland Lift X105

## Fiche technique

	X-105EL12	X-105EL16	X-105EL18
H (max.)	± 12,50 m	± 12,50 m	± 12,50 m
A (max.)	± 10,50 m	± 10,50 m	± 10,50 m
C (min.)	± 1,54 m	± 1,62 m	± 1,63 m
DxF (min.)	3,21 x 1,16 m	3,21 x 1,54 m	3,21 x 1,74 m
ExF (max.)	4,61 x 1,16 m	4,61 x 1,54 m	4,61 x 1,74 m
H1	2,72 m	2,78 m	2,79 m
H2	1,85 m		
H3	--		
LxB	3,50 x 1,19 m		
G	2,44 m		
M	115 mm		
∅ D	± 3,10 m		
 (max.)	500 kg (2 pers. + 340kg)		
 (max.)	500 kg (2 pers. + 340kg)		
 (sec.)	45/36 sec.		
	2,6 km/h		
	0,5 km/h		
	18 x 7 x 12 - 1/8		
	--		
	--		
 (max.)	± 25%		
	240 Ah/k5/48 V		
 kg	4.470 kg		

